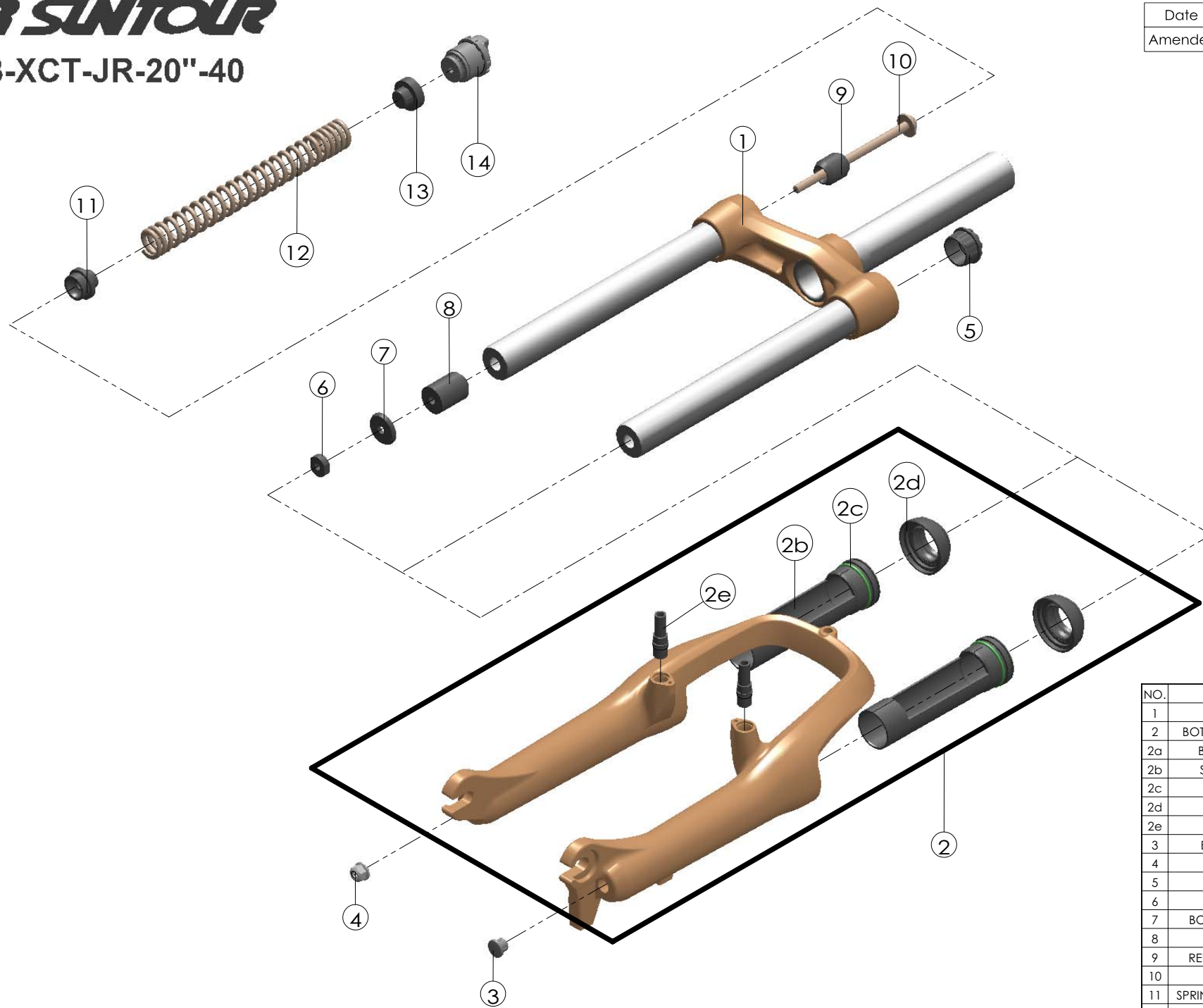


SUNTOUR

SF13-XCT-JR-20"-40

Date	2012.9.14	Version	1
Amended			



NO.	PART NAME	PART CODE	QTY.
1	UPPER ASSY	FKZ025-01	1
2	BOTTOM CASE ASSY	FKZ026-10	1
2a	BOTTOM CASE	FPB339	1
2b	SLIDER SLEEVE	FEE266-01	2
2c	O RING	FAA188	2
2d	DUST SEAL	FAA123	2
2e	CANTI BOSS	FSB241-16	2
3	BOTTOM CAP	FEE795	1
4	FIXING NUT	FSN023	1
5	CAP	FEE514	1
6	NUT PLATE	FSN025	1
7	BOTTOM STOPPER	FEE465	1
8	DAMPER	FEP065-01	1
9	REBOUND RUBBER	FEP086	1
10	FIXING BOLT	FSB155-01	1
11	SPRING GUIDE LOWER	FEE385-50	1
12	MAIN SPRING	FEP456	1
13	SPRING GUIDE UPPER	FEE196-10	1
14	CONTROL ADJUST SYSTEM	FKE007-11	1