



AXON 34 WERX  
AXON 34 ELITE



**AXON**  
BEYOND XC

REFINED SIMPLICITY™

**SR SUNTOUR**

# ***CONTENT – AXON34 WERX & ELITE***

## ***SPECS, TECHNOLOGY & FEATURES***

AXON34 INTRODUCTION _____	03-04
HIGH PERFORMANCE _____	05
AXON34 VIDEO _____	06
KEYFEATURES / SPECIFICATIONS _____	07-08
DETAILED SPECS _____	09
FORK SETTINGS _____	11-18
QLOC SYSTEM _____	20-21
MATERIAL / CONTACT _____	23
TECHNICAL VIEW _____	25-26

AXON

# AXON

## BEYOND XC

A staple at the front of the pack, the AXON WERX doesn't only remain a top contender, it's the new XCO world champion. AXON in XC race terms means owning the confidence to push through both terrain and physical suffering. The AXON has seen success at the highest levels of competition, finding Olympic and World champ titles under some of the most impressive athletes in the world. The demands of XC racing are gruelling; to succeed requires precision control and performance consistency. The SF20 AXON34 WERX Boost EQ is in a league of its own, having a one-piece hollow carbon crown upper and 34mm stanchions that maximizes stiffness at a proper race weight. The new Air EQ System is perfectly balancing positive and negative air chamber for exact support and excellent performance for each individual rider and weight. The development of the Air EQ System involved long-term testing with our World Cup XC racers – the result is a QSP worthy full air-spring that gives supple small bump compliance while maintaining proper support for every rider throughout the travel. Ascending to 34mm stanchions, the first seen on the World Cup XC circuit, with carbon crowns, travel up to 120mm, along with the Air EQ System, makes the Axon34 Werx Boost a true leader. This is the evolution of REFINED SIMPLICITY™.

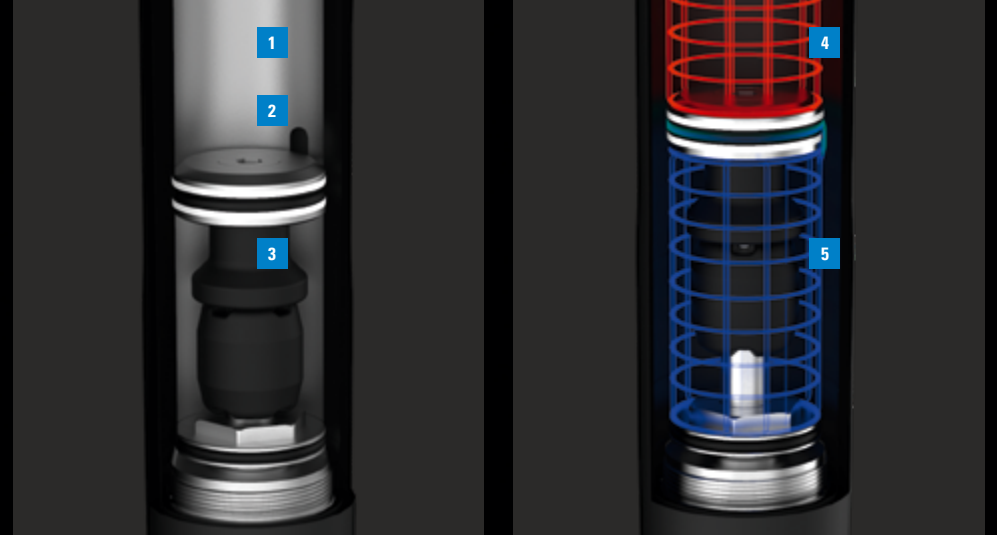


# EQ EQUALIZER SYSTEM

FOR PRECISE & EFFORTLESS TUNING

**EQ**  
EQUALIZER

- 01 Positive air chamber
- 02 Transfer port
- 03 Negative air Chamber
- 04 Positive air pressure
- 05 Negative air pressure



## SET YOUR SAG AND THE EQUALIZER (EQ) AIR NEGATIVE SPRING SYSTEM WILL BALANCE IT FOR YOU.

Our tradition of product evolution brings our forks into a brand new era with our all-new air EQ system. The EQ system perfectly equalizes the rider's weight to the spring curve which results in the exact positioning and support you need. This results in a customized feel for each individual rider optimizing sag and volume control. Pairing the EQ system with the external damping adjustments of our PCS cartridges results in a supple coil spring feel in a lightweight, progressive and easy to adjust air spring package. You can set your sag according to your intended riding style and the EQ system

will automatically balance it with the right amount of negative spring force helping you to create a precise and effortless tune. The EQ system will improve fork sensitivity of small repetitive bumps while providing plenty of mid-stroke support for those bigger hits resulting in enhanced comfort and performance when riding any kind of terrain.

## FUNCTIONAL FEATURES

- Greater, automatic spring adjustability based on the riding style and weight of the rider
- Improved fork sensitivity for those small but fast repetitive bumps
- Super consistent damping performance in tandem with the PCS system



## HIGH PERFORMANCE



## DDA ANALYSIS

New technologies have to prove themselves with modern data acquisition. We measured 20 to 30 percent less chatter on the handlebar compared to the predecessor. SR Suntour WERX athletes are closely involved in the development work - with success: Max Brandl (left), Top 10 World Cup XC Rider, Lexware Mountain Bike Team.

# ***WATCH THE VIDEO***



**CLICK TO WATCH THE EQ  
VIDEO ON OUR YOUTUBE  
CHANNEL**



**SCAN TO WATCH THE EQ  
VIDEO ON OUR YOUTUBE  
CHANNEL**

[www.srsuntour.com/axon34](http://www.srsuntour.com/axon34)

## KEY FEATURES

- + One-piece hollow carbon crown / Aluminium hollow crown (Elite version)
- + Air Equalizer (EQ) System
- + 34mm A7000 triple butted series stanchions
- + PCS – Piston Compensator System
- + RLRC-PCS cartridge
- + Detachable integrated short fender



## KEY FEATURES

- + 15QLC2TI 15X110 Boost, titanium axle
- + Postmount 160 direct / 180max. rotor size
- + Light magnesium bottom case





# AXON34 WERX & ELITE – DETAILED SPECS

## INTENDED USE CROSS COUNTRY

**WHEEL** 29"

**TIRE** 756x63

**TRAVEL** 29" 100mm, 110mm, 120mm

**CARTRIDGE** RL-RC PCS

**BRAKE POST MOUNT** 160mm DIRECT

**SPRING** AIR

**STANCHIONS** 34mm, A7000 SERIES,

HARD ANODIZED BLACK

**STEERER** 1.5" – 1 1/8" TAPERED (CTS),  
CARBON/ ALLOY "ELITE VERSION"

**CROWN** CARBON, HOLLOW  
**HUB** 15X110mm

**AXLE** 15mm, 15QLC2TI-110

**CASTING** MAGNESIUM

**BUILT-IN** 29" 100mm TRAVEL EQUALS  
511mm

**COLORS** MATT BLACK, GLOSS BLACK,  
GLOSS WHITE, TEAM GRAY

**SPECIAL** SERVICEABLE CARTRIDGE,  
INTEGRATED AND DETACHABLE TRAIL  
FENDER, AIR VOLUME ADJUST BY AIR  
VOLUME SPACERS INCLUDED

**WEIGHT** 1586g (AXON 34 WERX RLRC-  
PCS 29)

**OFFSET** AXON34 WERX 51, AXON34 ELITE  
44/51



100mm, 110mm,  
120mm



PCS  
PISTON  
COMPENSATOR  
SYSTEM



180  
mm  
MAX  
DISC



34  
mm



HOLLOW  
CROWN

BOOST

**UCI**

**2020 MOUNTAIN BIKE  
WORLD CHAMPIONSHIPS**

LEOGANG-SALZBURGER  
AUSTRIA

PRESENTED BY Mercedes-Benz

**FINISH**

TISSOT

saalbach

Leogang2020

GoPro



1 FRA J. SARROU 1:26:37 1:25:37 +14  
**FINISH TISSOT**



saalbach

SHIMANO



V-Class

UCI

THE EPIC  
BIKE PARK  
LEOGANG



TISSOT  
SWISS WATCHES SINCE 1853

Mercedes-Benz

RIDER JORDAN SARROU, WORLD CHAMPION XCO 2020  
LOCATION LEOGANG, AUSTRIA  
PHOTO REMY VROONEN

# TECHNOLOGY



**PISTON  
COMPENSATOR  
SYSTEM**

## ***PISTON COMPENSATOR SYSTEM***

Floating on a magic carpet is the feeling we're aiming for. Reducing the impact from the ground into your body is the first step. With the PCS as the foundation and completely new designed shim based high-speed compression and rebound circuits, our new R2C2 cartridge is progress in the right direction with our testing data providing proof. Simple, reliable, durable and easy service performance.



## ***EQUALIZER***

Set your SAG according to your intended riding style and the Equalizer (EQ) system will automatically balance it with the right amount of air negative spring force. For precisely & effortlessly the right tune.



## ***HOLLOW CROWN***

Our lightweight forged hollow crown technology brings additional stiffness and keeps the weight down. It is 35 grams lighter than the solid crown. Our new one-piece hollow carbon upper saves again 120 grams towards the forged version.



## ***Q LOC***

Q-LOC is our patented quick release system for thru axles fully deserving of the name "quick". Q-LOC 2 is the logical evolutionary step, guaranteeing 100% compatibility with all kinds of hub axle designs.

# SPECIFICATIONS



MODEL YEAR	MODEL NAME	MAIN SPECIFICATIONS							CROWN		STANCHION				STEERER TUBE	AXLE		BOTTOM CASE / BRAKE		
		Weight (g)	Wheel	Travel (mm)	Damper	Spring	Axle to crown (mm)	Offset (mm)	Mat.	Method	DIA (mm)	Mat.	Finish	Pitch (mm)	Size Material	O.L.D.	Axle	Mat.	Max rotor DIA.	Brake mount
SF20	<b>AXON34-Werx-Boost EQ RLRC- PCS DS 15QLC2Ti-110 29"</b>	1598	29"	100/110 120	RLRC-PCS	AIR	531	51	Carbon	Hollow	34	Alloy	Hard anodized, Black	142	1.5"to1-1/8" tapered(CTS), Carbon	ø15-110	15QLC2Ti-110	Mg	180mm	Post 160 Direct
SF20	<b>AXON34-Elite-Boost EQ RLRC-PCS DS 15QLC2Ti-110 29"</b>	-	29"x2.4"	100/110 120	RLRC-PCS	AIR (EQ)	532.5	51/44	Alloy	Hollow Forged	34	Alloy	Hard anodized, Black	142	1.5"to1-1/8" tapered(CTS), Alloy	ø15-110	15QLC2Ti-110	Mg	180mm	Post 160 Direct

# SAG FORK SETTING – MANUAL



Before touching the detailed setting of your fork, make sure to read the owners manual first. If you don't have it on hand, follow the document (left) onto our webpage.

We recommend a minimum SAG of 15% (for more progression) and a maximum SAG of 20% (in 120mm configuration, for more comfort).

Travel	SAG min. / max. (mm)
100	15mm - 20 mm
110	16,5mm - 22 mm
120	18mm - 24 mm

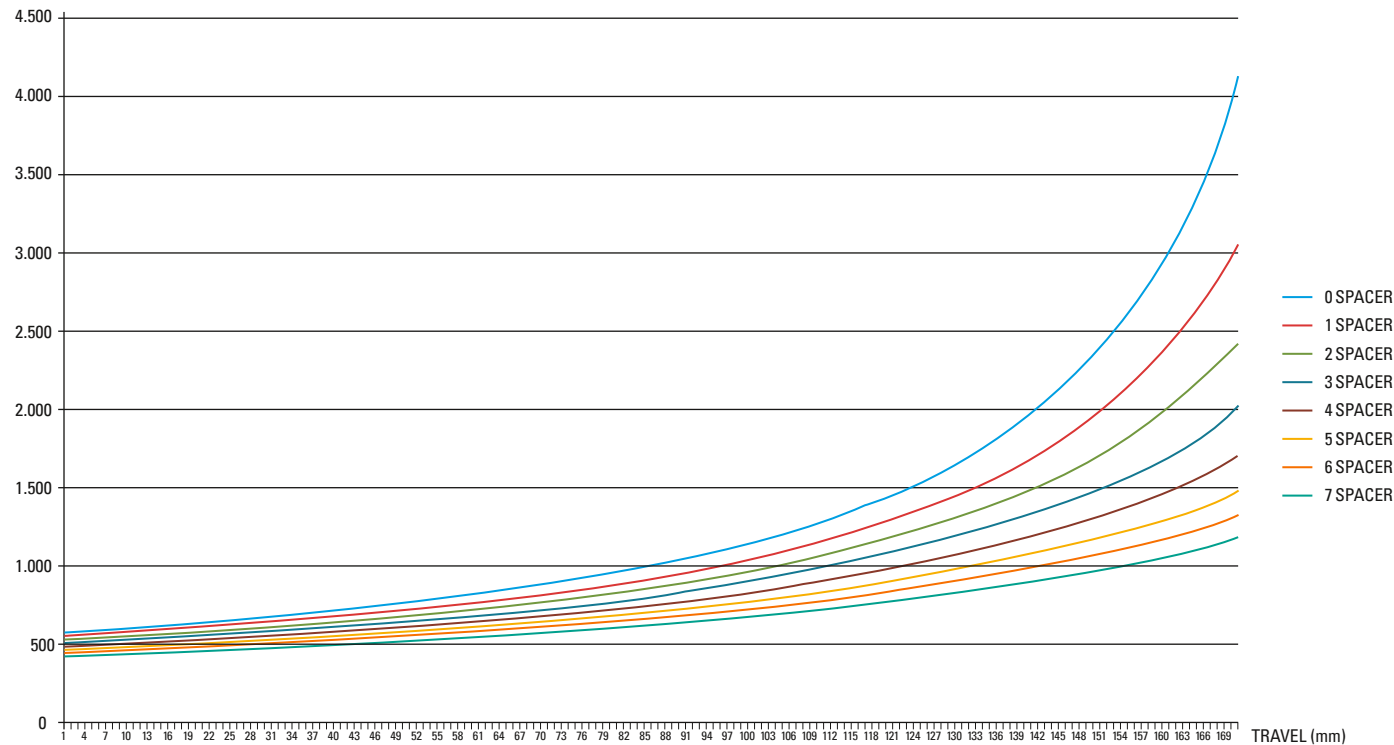
Riders weight	Recommended air pressure AXON34
< 55	45 - 50
55 - 65	55 - 65
65 - 75	65 - 75
75 - 85	75 - 85
85 - 95	85 - 90
95 <	90+
<b>Pressure (factory settings)</b>	<b>90psi</b>
<b>Max. pressure</b>	<b>145psi</b>



RIDER LIAM MOYNIHAN  
LOCATION BIKEPARK LA FENASOSA, SPAIN  
PHOTO HOSHI YOSHIDA

# FORK SETTING – VOLUME SPACER LOGIC

Example – spring characteristic:  
AXON34 WERX EQ, 120mm travel

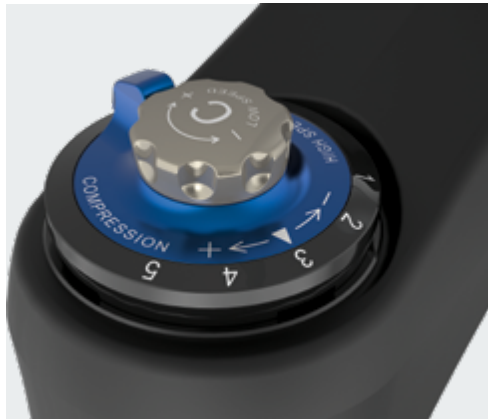


Adjust your spring curve by using different amount of rubber volume spacers part FEG 270. More spacers for more progression. Less spacers for more comfort. Before working on air volume spacers, make sure you deflate the fork. ⚠

AXON34 WERX EQ system		
	Factory setting	Max. possible spacers
Rubber volume spacer 5CC (FEG270)	3	8

# FORK SETTING – COMPRESSION AND REBOUND ADJUST RANGE

## COMPRESSION



To open the low speed compression: Turn counter clockwise towards the (-). Result: You get a supple feel with sensitivity on small bumps. To close the low speed compression: Turn clockwise towards the (+). Result: The more you close, the more support you get. Compression feeling is firmest.

## REBOUND



To open the low speed rebound: Turn the knob clockwise toward the (-) to open the low speed rebound. Result: The global rebound speed is faster.

Based on RL-RC PCS cartridge example

SETTINGS	COMPRESSION	REBOUND
LOW SPEED	Up to 18 steps available	Up to 25 steps available

\*Please note, changes on the high speed range you can only detect on the trail while riding. Position 1 = full open, position 5 full closed compression damping.



# ***FORK SETTING – COMPRESSION AND REBOUND ADJUST RANGE***

<b>SETTINGS</b>	<b>COMPRESSION</b>	<b>COMPRESSION ADJUST</b>	<b>REBOUND ADJUST</b>
<p><b>LOW SPEED</b></p>	<p>Allows you to control the performance of the fork in the situations where stress is caused by your body weight, e.g. banked curves, braking phases, slow steps, etc.</p>	<p>Turn the knob counter clockwise until it stops. Now turn clockwise until you reach 6 clicks. This is a good starting point. If you want more hydraulic support, you can turn clockwise a few more clicks. If you want lower threshold and more sensitivity, you can turn counter clockwise.</p>	<p>This is the main knob to establish the global rebound speed. Adjustment: Turn the knob clockwise (toward (-)) until it stops. Now turn clockwise until you get the proper amount of clicks so that the fork recovers its original travel fast enough but always making sure you keep enough grip.</p>



## **FORK SUSPENSION SETTING – HYDRAULICS**

### **HOW TO SET UP YOUR BICYCLE LIKE A PRO – JORDAN SARROU**

SETTINGS	COMPRESSION	REBOUND	AIR PRESSURE	AIR VOLUME SPACER
LOW SPEED	Close 7 clicks from full open	Close 15 clicks from full open	82 psi	5 tokens

### **HOW WE RECOMMEND TO START YOUR SETUP**

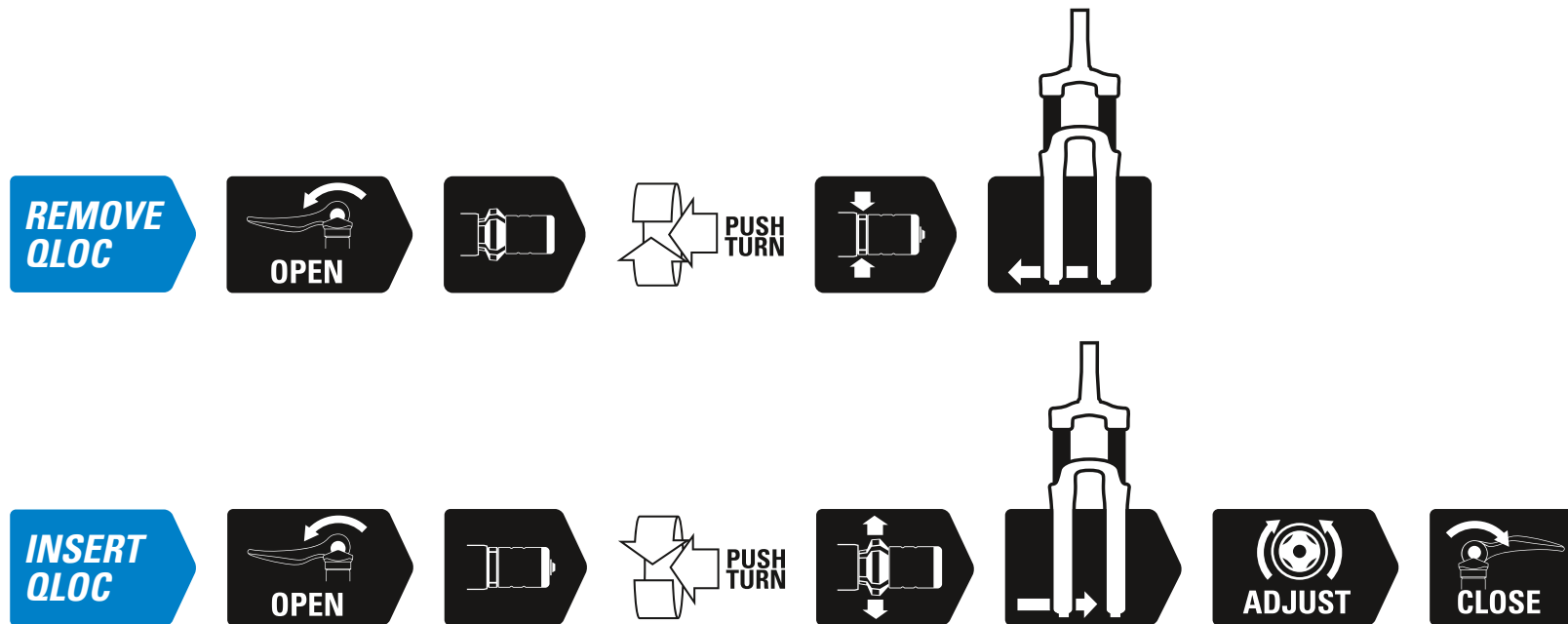
SETTINGS	COMPRESSION	REBOUND	SAG (%)	AIR VOLUME SPACER
LOW SPEED	Close 5 clicks from full open	from full open: 45-60psi – 0/5 clicks 55-65psi – 5/10 clicks 65-75psi – 10/13 clicks 75-85psi – 17/20 clicks 90psi< – 20/25 clicks	15	Start with standard setting (3 spacers) and increase the number up to 7 spacers if you need more progressivity

\* For RL-RC and LO-RC cartridges settings are pre-defined internally. settings can only be a starting point – safety first.



RIDER JULIEN ABSALON  
LOCATION WORLDCUP STELLENBOSCH, SOUTH AFRICA  
PHOTO HOSHI YOSHIDA

# Q-LOC AND THRU AXLE QUICK RELEASE



Q-LOC is a patented quick release system for thru axles fully deserving of the name "quick". Q-LOC 2 is the logical evolutionary step, guaranteeing 100% compatibility with all kinds of hub axle designs. A simple push and a little twist of the nut enables a quick removal of the axle. Exchanging the axle is as fast as extracting the axle thanks to the patented expander

design which smoothly passes the thru axle and latches safely with a reassuring click sound. Safety and speed is crucial when it comes to pressurised wheel changes during a race. Q-LOC2 offers both in a super lightweight axle (Q-LOC2-Ti 70g).

# ***WATCH THE VIDEO***



**CLICK TO WATCH THE  
QLOC VIDEO ON OUR  
YOUTUBE CHANNEL**



**SCAN TO WATCH THE  
QLOC VIDEO ON OUR  
YOUTUBE CHANNEL**  
[www.srsuntour.com/qloc2](http://www.srsuntour.com/qloc2)



RIDER TITOUAN CAROD  
LOCATION WORLD CHAMPIONSHIPS, LEOGANG  
PHOTO REMY VROONEN

# COMPLEMENTARY MATERIAL AND GLOBAL CONTACT



## REFINED SIMPLICITY

SR SUNTOUR is a Japanese owned bicycle components manufacturer, operating factories in Taiwan, China, and Vietnam, with R&D and service offices collaborating globally for the success of one of the world's most prominent bicycle suspension components manufacturer. With this global infrastructure we strive to create suspension & drive train products for the widest range of people, from World Cup podiums, urban mobility to a kid's first bike. Our goal is to be the industry leader in value performance, reliability, durability, and serviceability following our guiding principle REFINED SIMPLICITY. With roots tracing back to 1912, established 1988.



Click to visit us online



Click to read our PDF-manual



Contact our world-wide distributors



SHIMANO

TISSOT  
SWISS WATCHES SINCE 1853

saalbach  
WINTERSPORT-LEOGANG-TERGOLING



SAALFELDEN  
LEOGANG

Mitas

TISSOT  
SWISS WATCHES SINCE 1853



V-Class

Mitas

SALEVOOGER  
LAND

THE EPIC  
BIKEPARK  
LEOGANG

Mitas

GoPro

1

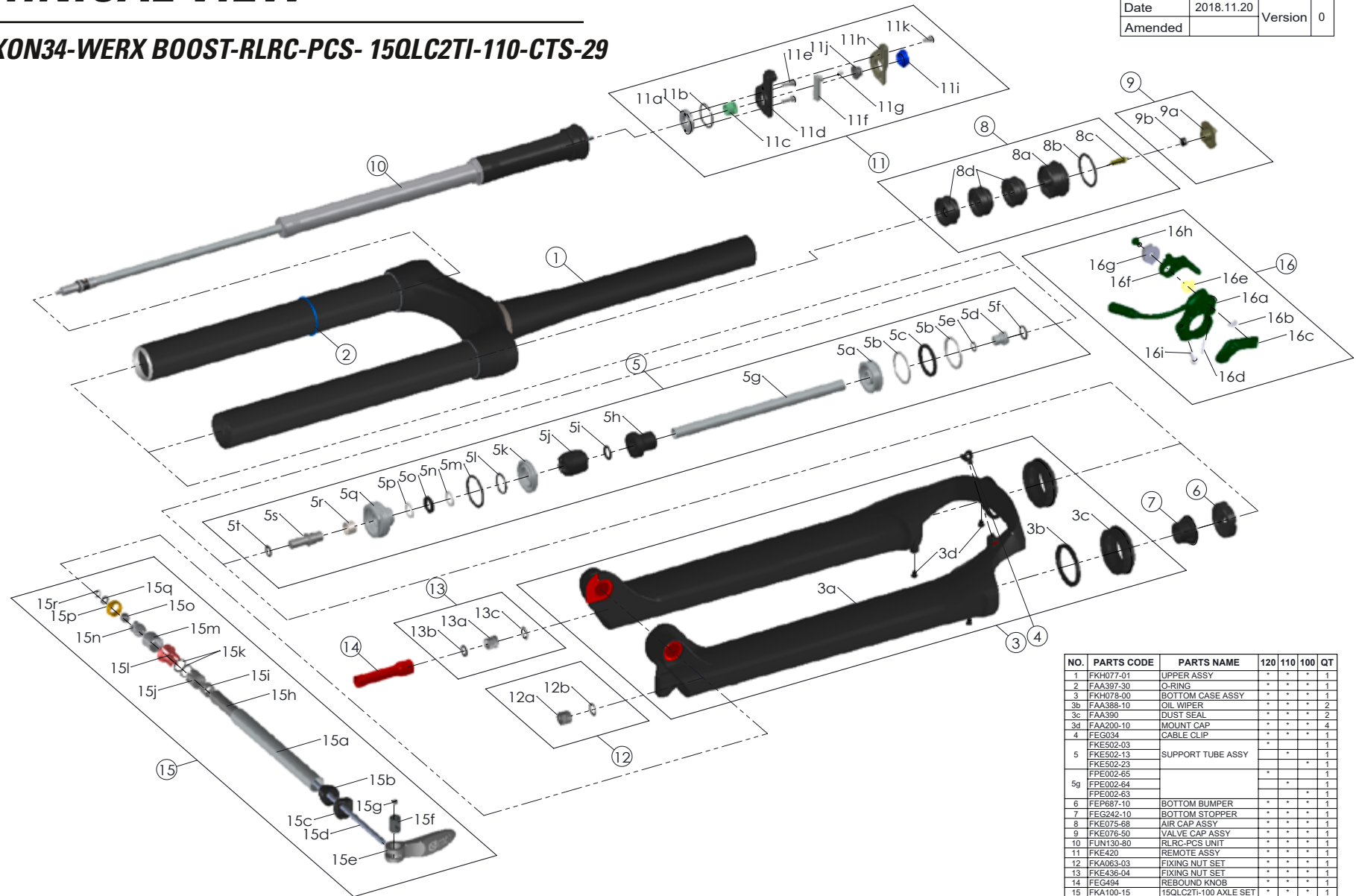
LOCATION LEOGANG, AUSTRIA  
PHOTO REMY VROONEN



# TECHNICAL VIEW

SF20AXON34-WERX BOOST-RLRC-PCS- 15QLC2TI-110-CTS-29

Date	2018.11.20	Version	0
Amended			

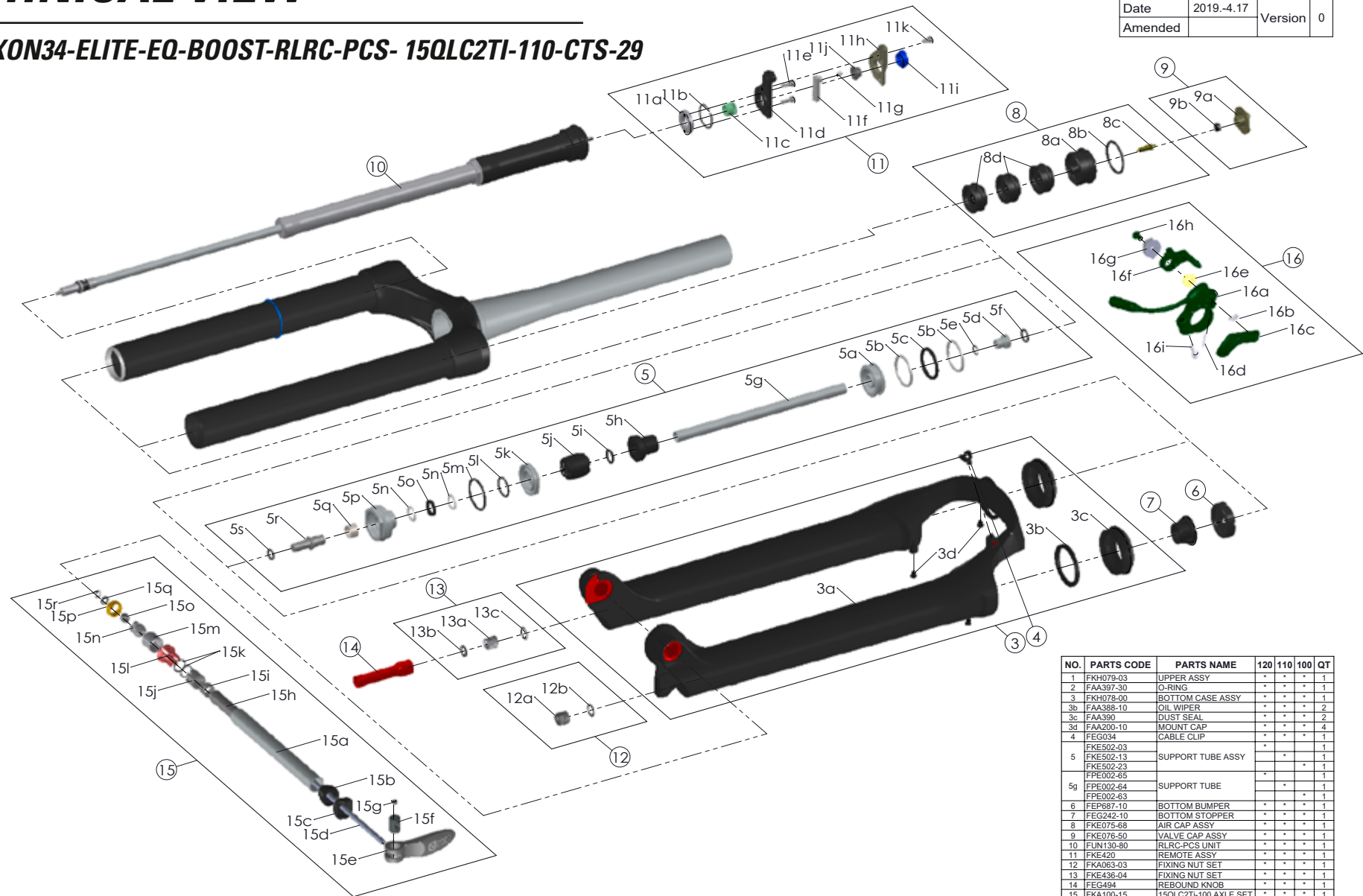


NO.	PARTS CODE	PARTS NAME	120	110	100	QT
1	FKH077-01	UPPER ASSY	*	*	*	1
2	FAA397-30	O-RING	*	*	*	1
3	FKH078-00	BOTTOM CASE ASSY	*	*	*	1
3b	FAA388-10	OIL WIPER	*	*	*	2
3c	FAA390	DUST SEAL	*	*	*	2
3d	FAA200-10	MOUNT CAP	*	*	*	4
4	FE6034	CABLE CLIP	*	*	*	1
	FKE502-03		*	*	*	1
5	FKE502-13	SUPPORT TUBE ASSY	*	*	*	1
	FKE502-23		*	*	*	1
	FPE002-65		*	*	*	1
5g	FPE002-64		*	*	*	1
	FPE002-63		*	*	*	1
6	FE687-10	BOTTOM BUMPER	*	*	*	1
7	FE6242-10	BOTTOM STOPPER	*	*	*	1
8	FKE075-68	AIR CAP ASSY	*	*	*	1
9	FKE076-50	VALVE CAP ASSY	*	*	*	1
10	FUN130-80	RLRC-PCS UNIT	*	*	*	1
11	FKE420	REMOTE ASSY	*	*	*	1
12	FKA063-03	FIXING NUT SET	*	*	*	1
13	FKE436-04	FIXING NUT SET	*	*	*	1
14	FE6494	REBOUND KNOB	*	*	*	1
15	FKA100-15	15QLC2TI-100 AXLE SET	*	*	*	1
16	SL12SC-RLO	REMOTE LEVER ASSY	*	*	*	1

# TECHNICAL VIEW

SF20AXON34-ELITE-EQ-BOOST-RLRC-PCS- 15QLC2TI-110-CTS-29

Date	2019.-4.17	Version	0
Amended			



NO.	PARTS CODE	PARTS NAME	120	110	100	QT
1	FKH079-03	UPPER ASSY	*	*	*	1
2	FAA397-30	O-RING	*	*	*	1
3	FKH078-00	BOTTOM CASE ASSY	*	*	*	1
3b	FAA398-10	OIL WIPER	*	*	*	2
3c	FAA390	DUST SEAL	*	*	*	2
3d	FAA200-10	MOUNT CAP	*	*	*	4
4	FEG034	CABLE CLIP	*	*	*	1
	FKE502-03		*	*	*	1
5	FKE502-13	SUPPORT TUBE ASSY	*	*	*	1
	FKE502-23		*	*	*	1
	FPE002-65		*	*	*	1
	FPE002-64	SUPPORT TUBE	*	*	*	1
	FPE002-63		*	*	*	1
6	FEP687-10	BOTTOM BUMPER	*	*	*	1
7	FEC242-10	BOTTOM STOPPER	*	*	*	1
8	FKE075-68	AIR CAP ASSY	*	*	*	1
9	FKE076-50	VALVE CAP ASSY	*	*	*	1
10	FUN130-80	RLRC-PCS UNIT	*	*	*	1
11	FKE420	REMOTE ASSY	*	*	*	1
12	FKA063-03	FIXING NUT SET	*	*	*	1
13	FKA436-04	FIXING NUT SET	*	*	*	1
14	FEG494	REBOUND KNOB	*	*	*	1
15	FKA100-15	15QLC2TI-100 AXLE SET	*	*	*	1
16	SL12SC-RLO	REMOTE LEVER ASSY	*	*	*	1