



OWNERS MANUAL

---

**AXON**

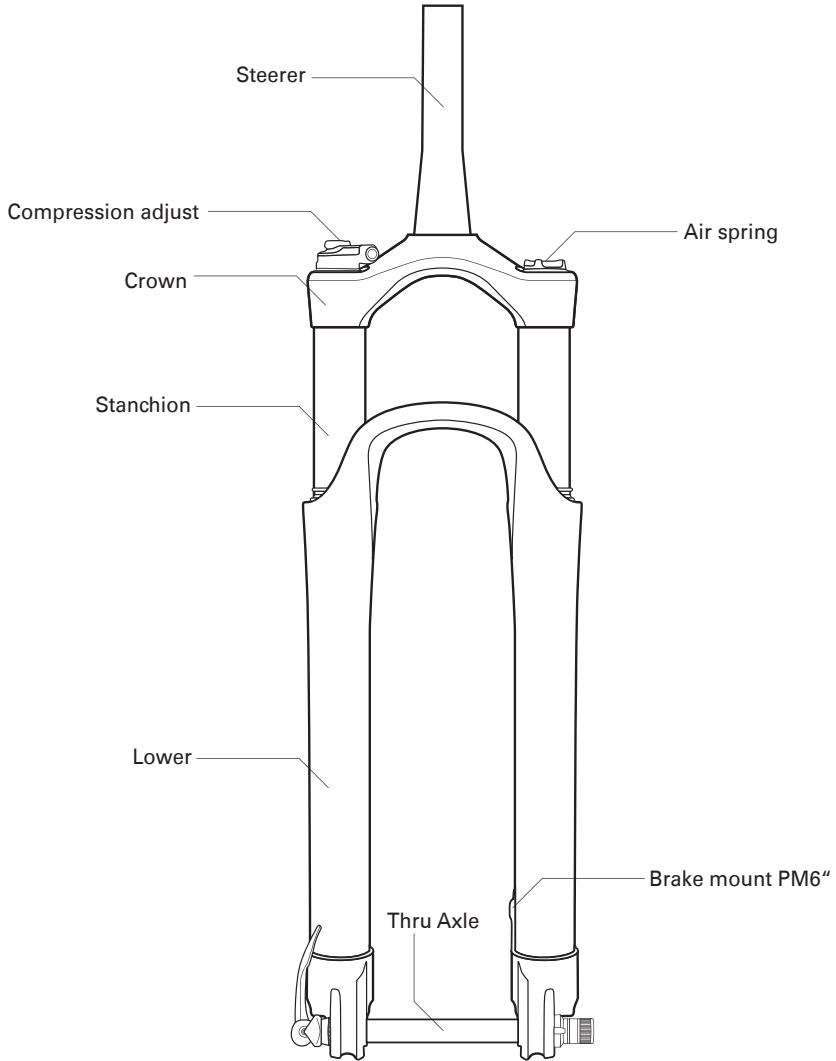
ENGLISH

# TABLE OF CONTENTS

---

Overview .....	3
Tightening torques .....	3
Important safety information .....	4
Before every ride .....	5
Assembly instructions .....	6
Q-LOC assembly instructions .....	6
Air pressure and "SAG" .....	7
Adjusting rebound damping .....	8
Adjusting compression damping .....	8
Lock-out system .....	8
Installing the remote lock-out .....	9
Maintenance plan .....	10
Web links .....	10
Limited warranty .....	11

# OVERVIEW



## TIGHTENING TORQUES

Air spring side, top	10Nm
Air spring side, lower (fix travel)	10Nm

Damping side, top	10Nm
Damping side, lower	6Nm

**For proper torque of the brake mount, please ask the brake manufacturer.**

## IMPORTANT SAFETY INFORMATION



### **WARNING!**

**Not heeding the warnings and safety instructions can cause the product to malfunction or can result in personal injuries or even death to the rider.**

- ▶ Please read these instructions thoroughly before using your suspension fork. Improper use of the suspension fork can cause the product to become damaged or result in severe injuries or even death to the rider.
- ▶ Suspension forks and rear shock absorbers contain highly pressurised liquids and gases. The warnings contained in this manual must be followed carefully in order to prevent injuries or even death. Never attempt to open SR SUNTOUR cartridges and rear shocks, they contain highly pressurised liquids and gases, as mentioned above. You will risk severe injuries if you open SR SUNTOUR absorber cartridges and rear shock absorbers.
- ▶ Use only original spare parts from SR SUNTOUR. Using accessories and spare parts of other manufacturers voids the warranty of your fork and the fork may not work as intended. Furthermore, this can lead to accidents, injuries and even injuries resulting in death.
- ▶ SR SUNTOUR suspension forks are made for a single rider.



**These instructions contain important information for the proper assembly, maintenance and servicing of your suspension fork. Please note that expertise and special tools are required in order to install, maintain and service SR SUNTOUR forks. General knowledge of mechanics is likely to be insufficient to repair, maintain and service a suspension fork. Therefore, we recommend having the fork installed, maintained and/or serviced by a trained and qualified bicycle mechanic. Improper installation, service or maintenance can result in the product malfunctioning, accidents, injury or even death.**

- ▶ Ride while wearing appropriate protective clothing only. This includes wearing a fitting and firmly seated helmet. Additional protective components should be used depending on your riding style. Make sure that your equipment is always in perfect condition.
- ▶ Select the proper fork based on the frame height and your personal riding style. Installing a fork that does not correspond to the geometry of your frame can cause the fork to become damaged and will void the warranty. Installing a suspension fork changes the geometry of the bicycle and how it is used. Get used to it gradually and practice. Make sure you properly assess your limits and do not go above them.
- ▶ If you are using a bicycle rack that requires the front wheel to be removed, the quick release skewer must always be open if it is not used to fasten the bicycle. If the quick release is not opened completely, then this can cause the fork to become bent, broken or otherwise structurally damaged when the bicycle is removed from the bicycle rack. If the bicycle has fallen off the bicycle rack, have it inspected by a qualified bicycle mechanic before riding it again. If you are using a bicycle rack that fastens the bicycle at the front dropouts only, then the rear wheel must be fastened too. Improperly fastening the bicycle can cause it to wiggle which may cause the fork dropouts to break.

- ▶ Please note that SR SUNTOUR suspension forks are not equipped with front reflectors for use in road traffic. If you intend to use your bicycle on public roads or bicycle paths, you must install the required front reflectors on the fork. Please contact your specialised dealer.
- ▶ Carefully read the operating instructions included with your bicycle and familiarise yourself with the individual components of your bicycle.



**Please also note that your fork is not intended for jumps, aggressive downhill rides, freeride or dirtjump if the warning sticker on your suspension fork prohibits these. Disregarding these instructions may cause your product to fail or may even cause accidents or death. Not heeding these instructions will void the warranty!**

## **BEFORE EVERY RIDE**

---



**Do not ride the bicycle if one of the following criteria is not met! If the bicycle is damaged or if the necessary adjustments were not made but the bicycle is used regardless, then this can result in accidents, serious injuries or even death.**

- ▶ Are there any cracks, dents or deformations on the fork or on another part of your bicycle? If this is the case, contact a trained and qualified bicycle mechanic to inspect your fork and the bicycle.
- ▶ Is oil leaking from the fork? Also check hidden areas such as the underside of the fork crown. If this is the case, contact a trained and qualified bicycle mechanic to inspect your fork and the bicycle.
- ▶ Put your full body weight onto the fork. If it seems too soft (i.e. if the pressure for an exact negative spring stroke is incorrect), pump up the fork until the desired value is reached. Further information can also be found under „AIR PRESSURE AND “SAG”“.
- ▶ Make sure that the brakes are properly installed, adjusted and functioning. This also applies to all other bicycle parts such as the handlebar, pedals, crankset, saddle, seat-post etc. Further information can also be found in the operating instructions of the other parts' manufacturers. Make sure the wheels are perfectly centred so that the suspension fork and the brake system do not touch.
- ▶ If you are using a quick release system to attach your wheelset, make sure the quick release has the required clamping force. If you are using a thru-axle system, make sure all screws are tightened to the proper torque.
- ▶ Check the cable length and the cable routing of the components. The cables must not interfere with the steering movements.
- ▶ If you are using front reflectors for use on public roads, make sure they are clean and properly installed.
- ▶ Gently bounce your front wheel off the ground and check/listen whether there are any loose parts.

# FORK ASSEMBLY



**WARNING!**  
SR SUNTOUR recommends having the fork installed, maintained and/or serviced by a trained and qualified bicycle mechanic.

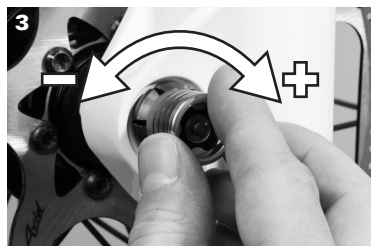
## Q-LOC ASSEMBLY INSTRUCTIONS

### INSTALLATION



check the flange to be expanded before installation and open the lever completely

slide in axle until it „clicks“



Set the tension with a semi-open lever until the flange is flush with the dropout

Lock the lever completely. Check if firmly seated and re-tighten if necessary

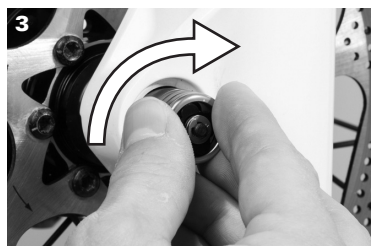
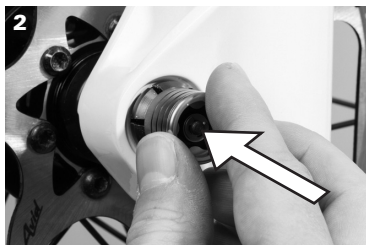


### REMOVAL



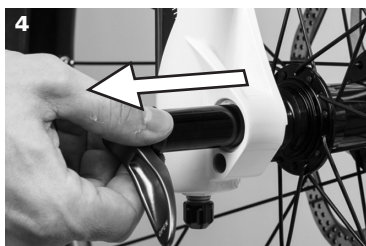
Open completely

Press nut until flange retracts.



Turn nut clockwise until flange stays latched

Pull out axle



# AIR PRESSURE AND "SAG"

The "SAG" (negative spring stroke) is the compression that is caused solely by the body weight and the position of the rider. The "SAG" depends on the position and weight of the rider and should be between 15% and 30% of the fork's max travel depending on the intended use and preferences.

## SETTING THE AIR PRESSURE AND "SAG"

1. Unscrew the valve cap. Screw a fork / shock pump onto the valve.
2. Pump the suspension fork up to the desired pressure. Never exceed the recommended maximum air pressure. Note the table below.
3. Sit on the bicycle in normal riding position and check the "SAG". Add or release air as needed. In order to properly assess the "SAG", attach a cable zip tie to the fork stanchion. You can lean against a wall in order to be able to sit still on the bicycle, in order to measure the "SAG".



Rider weight (kg)	Suggested air pressure (psi)
< 55	40 - 55
55 - 65	55 - 65
65 - 75	65 - 75
75 - 85	75 - 85
85 - 95	85 - 95
> 100	100+

**The maximum air pressure of the AXON is at 165psi.  
Do not exceed this limit.**

## ADJUSTING REBOUND DAMPING

Rebound damping allows you to adjust the speed with which the fork rebounds after it was compressed.

Turn the adjusting screw counter-clockwise (- / less damping) to increase the extension (rebound) speed of your fork. To reduce the extension (rebound) speed, turn clockwise (+ / more rebound).

To find the right rebound speed, turn the adjusting screw as far clockwise as possible (slowest extension). Put your entire body weight on the suspension fork and let it rebound abruptly. Now decrease the rebound gradually (fastest extension) and repeat this procedure until the suspension fork almost jumps when it rebounds.

**Recommendation:** Adjust the rebound to the fastest possible configuration without causing a jumping of the front wheel.

**Warning:** A too fast adjustment can cause uncontrolled jumping of the front wheel and a loss of traction.



## ADJUSTING COMPRESSION DAMPING

Compression damping adjusts the compression speed of the suspension fork.

Turn the adjusting screw counter-clockwise (less damping) to increase the compression speed of your fork. Turn it clockwise (more damping) to reduce the compression speed.



## LOCK-OUT SYSTEMS

The „lock-out“ function of the SR SUNTOUR forks prevents swinging up/dipping of the suspension fork when riding standing up or riding uphill. The fork is not locked 100%. A couple of millimetres of the suspension travel, the so-called „anti-blow-off system“, remains. This system protects you when riding in demanding terrain in case you forgot to unlock the fork.



But regardless, you should never switch your fork to „lock-out mode“ when riding in demanding terrain or when jumping. The fork may become damaged when it is compressed under a high load. This can also lead to accidents and injuries.

### REMOTE SPEED LOCKOUT

Press the „Remote lock lever“ on the handlebar to lock the fork. Press the button below that to release the lock.





## INSTALLATION OF REMOTE LOCK-OUT (RL-RC & RL-R cartridges)

Install the "Remote lockout lever" with an Allen wrench (3 mm) on the right of your left-hand side grip on the handlebar. Make sure there is enough space between the grip and the lockout lever (min. 3 mm).



1  
Remove cover  
with a 2.5 mm Allen  
wrench



2  
Release the cable  
fixing bolt with a  
2 mm  
Allen wrench.



3  
Thread the cable  
through, tension  
slightly and  
fasten



4  
Let the control  
cable protrude by  
about 15 mm to  
prevent jamming



5  
Install  
the cover



6  
adjust  
cable tension if  
necessary

If the fork is not locking, the tension of the cable is probably too low. In this case you should increase the cable tension by turning the adjusting screw counter-clockwise. If the cable tension is too high and the fork lock cannot be released, turn the adjustment screw clockwise.

## MAINTENANCE PLAN

---

- ▶ **after every ride:** Clean the fork tubes and dust seals and maintain with an oily cloth / check stanchion tubes for scratches
- ▶ **every 50 hours:** Maintenance 1 (at dealer)
- ▶ **every 100 hours or once a year:** Maintenance 2 (at dealer, ideally before winter time in order to protect all parts from the effects of weather by proper greasing)

### MAINTENANCE 1:

Check function of fork / check torques of mountings screws and nuts at dropout (10 Nm) / check for scratches, dents, cracks, discolouration, signs of wear and signs of minor corrosion (maintain with oily cloth).

### MAINTENANCE 2:

Maintenance 1 + disassembly / cleaning the entire fork inside and out / cleaning and lubricating dust seals and slider sleeves / checking torques / adjusting to the riders liking. Before disassembly, check the slider sleeve play of the fork. To do so, apply the front wheel brake and gently push the bicycle back and forth at the handlebar stem shaft. Replace the slider sleeves if the play is too big (more than 1 mm at the fork brace).

## WEB LINKS

---

**For further information please visit our website: [www.srsuntour-cycling.com](http://www.srsuntour-cycling.com).**

**There you will also find:**

- ▶ Service request:  
<http://www.srsuntour-cycling.com/service/service-request>
- ▶ Product registration:  
<http://www.srsuntour-cycling.com/service/product-registration>
- ▶ Tech videos:  
<http://www.srsuntour-cycling.com/service/tech-videos>
- ▶ Download area:  
<http://www.srsuntour-cycling.com/service/download-area>
- ▶ Fork glossary:  
<http://www.srsuntour-cycling.com/service/fork-glossary>

# LIMITED WARRANTY

---

For normal use, SR SUNTOUR guarantees that the suspension fork is free from material and workmanship defects for two years from the date of purchase. This guarantee of SR SUNTOUR Inc. applies only to the original purchaser and is not transferable to third parties. A claim under this warranty may be made only at the retailer where the bicycle or the SR SUNTOUR suspension fork was purchased.

The original receipt must be presented as proof of purchase.

## **LOCAL LAW:**

This warranty gives you specific legal rights. Depending on the state (USA) or province (Canada) or the country in which you live, you may have other rights that vary from the warranty set forth herein. These conditions should be adapted to the local regulations so that they correspond to these laws.

## **LIMITED WARRANTY:**

This limited warranty does not apply to damage to the suspension fork that is caused by one of the following: improper installation, dismantling and reassembling, wilful damage, alterations or modifications to the fork, misuse or abuse of the product or the use of this product for a purpose other than the intended use, accidents, crashes, improper maintenance, improperly carried out repairs. The obligations under this "Limited Warranty" are limited to repair or replacement of the suspension fork or any part thereof within a period of two years when a material or workmanship defect exists. Beyond the above conditions, SR SUNTOUR makes no direct or indirect guarantee that this product is suitable or tradable for a particular purpose. SR SUNTOUR shall not be liable for incidental or consequential damages under any circumstances. Damage caused by the use of spare parts from other manufacturers or spare parts that are not intended or suitable for SR SUNTOUR suspension forks are not covered by this warranty. This warranty does not apply to conventional wear and tear. The following parts are subject to wear: dust seals, moving rubber parts, O-rings, fork stanchions, lock-out and travel adjust cartridges.

Please note that all SR SUNTOUR cartridges and metal bushings have a limited warranty of one year! Plastic slider sleeves have a limited warranty of six months!

### **SR SUNTOUR INC. (TAIWAN)**

#7 Hsing Yeh Road,  
Fu Hsing Industrial Zone Chang Hua,  
Taiwan, R.O.C.  
Tel: +886- (0)4-769-5115  
Fax: +886- (0)4-769-4028  
E-Mail: orders@srsuntour.com.tw

### **SR SUNTOUR EUROPE GMBH**

*Sales, Customer Support  
and Technical Services*

Riedstrasse 31  
83627 Warngau, Germany  
Tel: + 49 (0)8021 50 793-30  
E-Mail: service@srsuntour-cycling.com

### **SAV SR Suntour France Sales**

*Customer Support and Technical Services*

604 voie Galilee  
73800 Sainte Hélène du Lac, France  
Tel: +33 (0)981241650  
Fax: +33 (0)479286971  
E-Mail: sav@srsuntour-cycling.com

### **SR SUNTOUR NORTH AMERICA**

14511 NE 10th Avenue,  
Unit E, Vancouver,  
Washington 98685 USA

*Warranty and Service Center*

Tel: +1-360-737-6450  
E-Mail: service@srsuntourna.com  
Website: www.srsuntourna.com

*Aftermarket and Sales*

Tel: +1-855-205-BIKE(2453)  
E-Mail: ssna@srsuntourna.com  
Online Sales: www.emarket.srsuntourna.com

*SR SUNTOUR (supported by USUL Corp)*  
Warranty, Service, Sales and Marketing

910 Watson Avenue  
Madison, Wisconsin 53713 USA  
Tel: +1-(0)608-229-6610  
Service and Warranty E-Mail: service@  
usulcorp.com  
Sales E-Mail: sales@usulcorp.com