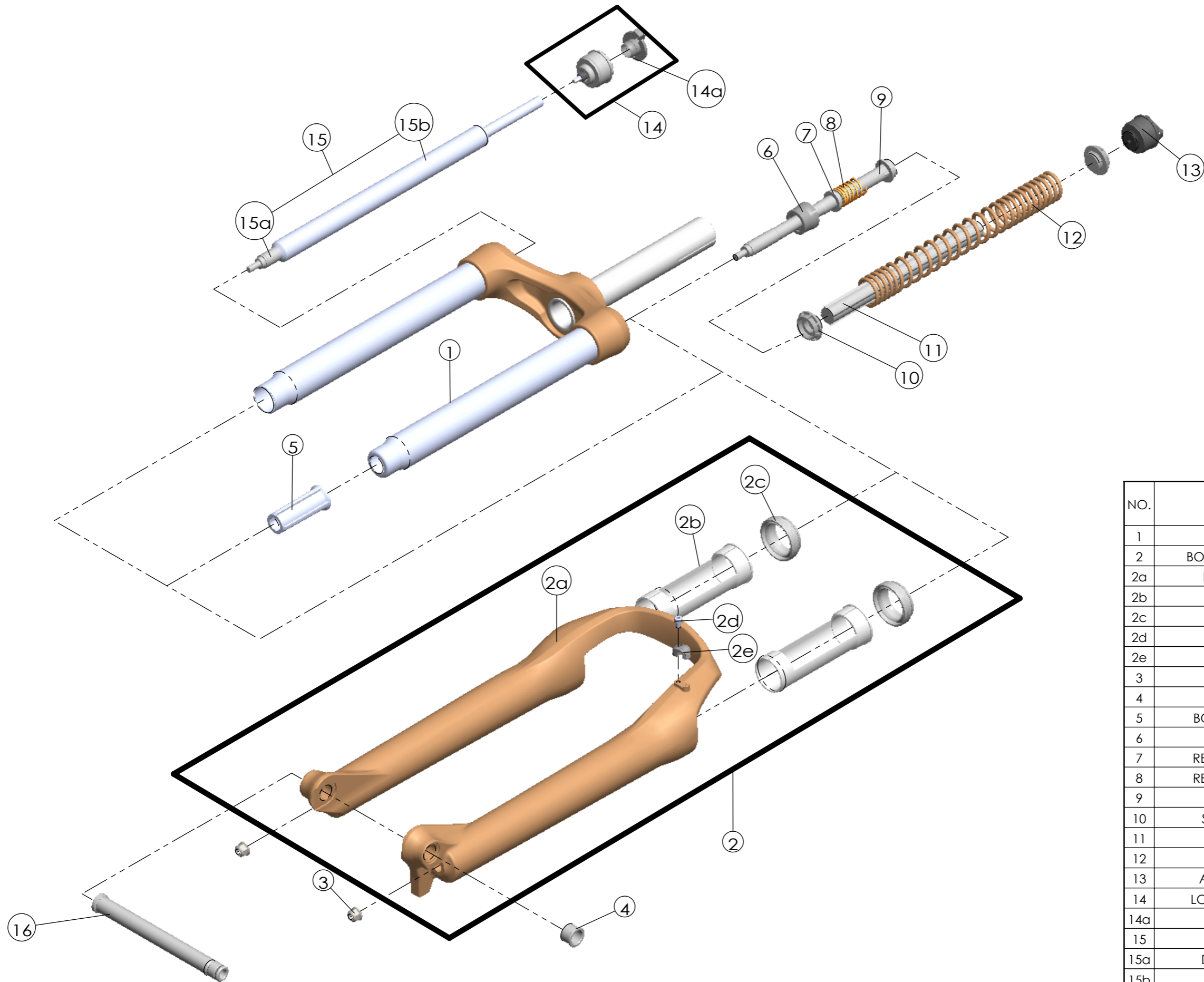


|         |           |         |   |
|---------|-----------|---------|---|
| Date    | 2018.9.17 | Version | 1 |
| Amended |           |         |   |



| NO. | PART NAME          | PART CODE | QTY. |
|-----|--------------------|-----------|------|
|     |                    |           | 120  |
| 1   | UPPER ASSY         | FKZ096-07 | 1    |
| 2   | BOTTOM CASE ASSY   | FKZ097-20 | 1    |
| 2a  | BOTTOM CASE        | FPB424-10 | 1    |
| 2b  | SLIDER SLEEVE      | FEG137    | 2    |
| 2c  | DUST SEAL          | FAA169-20 | 2    |
| 2d  | HOSE GUIDE         | FEG166    | 1    |
| 2e  | BOLT               | FSB153    | 1    |
| 3   | FIXING NUT         | FSN023    | 2    |
| 4   | AXLE NUT           | FSN075-20 | 1    |
| 5   | BOTTOM STOPPER     | FEE806-30 | 1    |
| 6   | FORK NOSE          | FEE805    | 1    |
| 7   | REBOUND RUBBER     | FEP053    | 1    |
| 8   | REBOUND SPRING     | FEP189-20 | 1    |
| 9   | SUPPOR TUBE        | FEG175    | 1    |
| 10  | SPRING GUIDE       | FEE434-10 | 2    |
| 11  | DAMPER             | FEP320-10 | 1    |
| 12  | MAIN SPRING        | FEP759    | 1    |
| 13  | ADJUST SYSTEM      | FKE009-21 | 1    |
| 14  | LO ADJUST SYSTEM   | FKE028-38 | 1    |
| 14a | KNOB               | FEG426    | 1    |
| 15  | DAMPER UNIT        | FUN050-14 | 1    |
| 15a | DAMPER BODY        | FUN050-00 | 1    |
| 15b | SUPPORT TUBE       | FEE847-02 | 1    |
| 16  | 15AH2-110 AXLE SET | FKA117-00 | 1    |